

Manual

A-750 Owners



RENLITA
Custom Opening Solutions

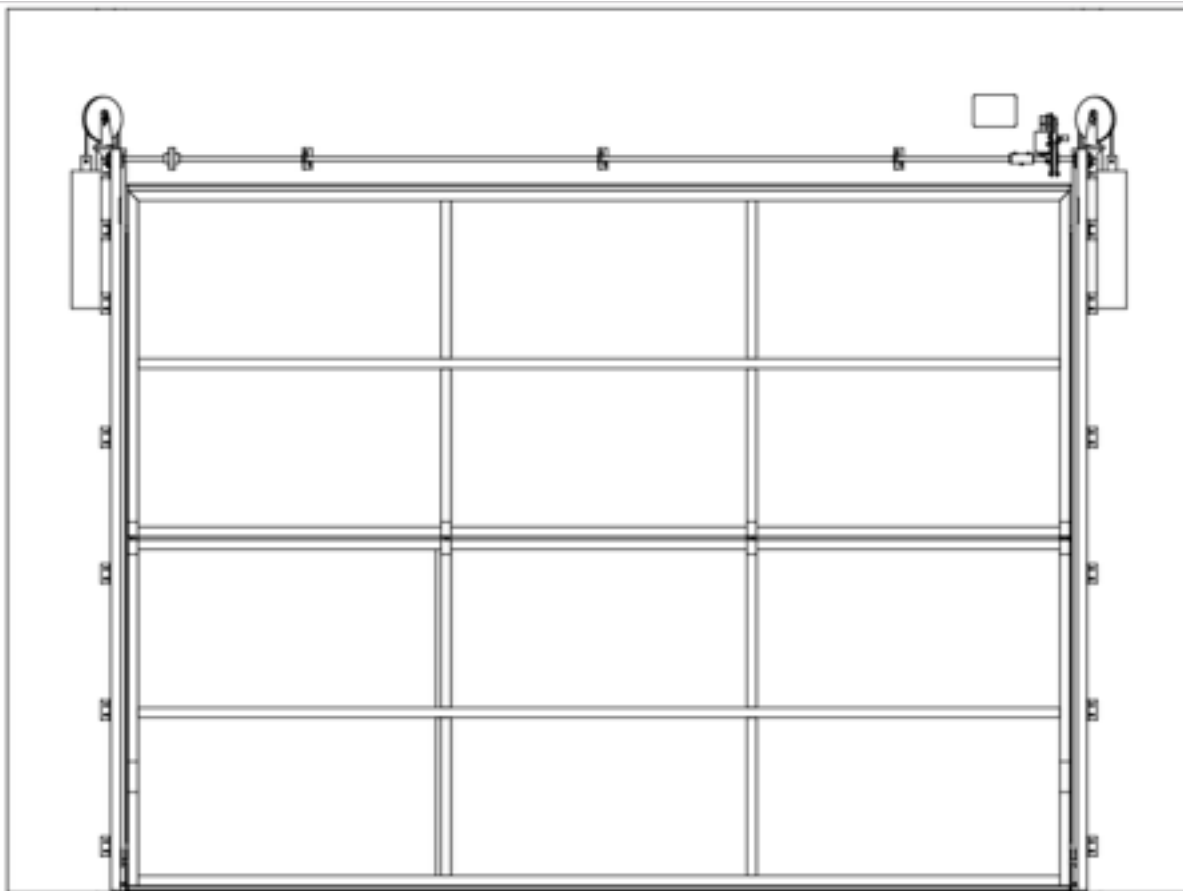


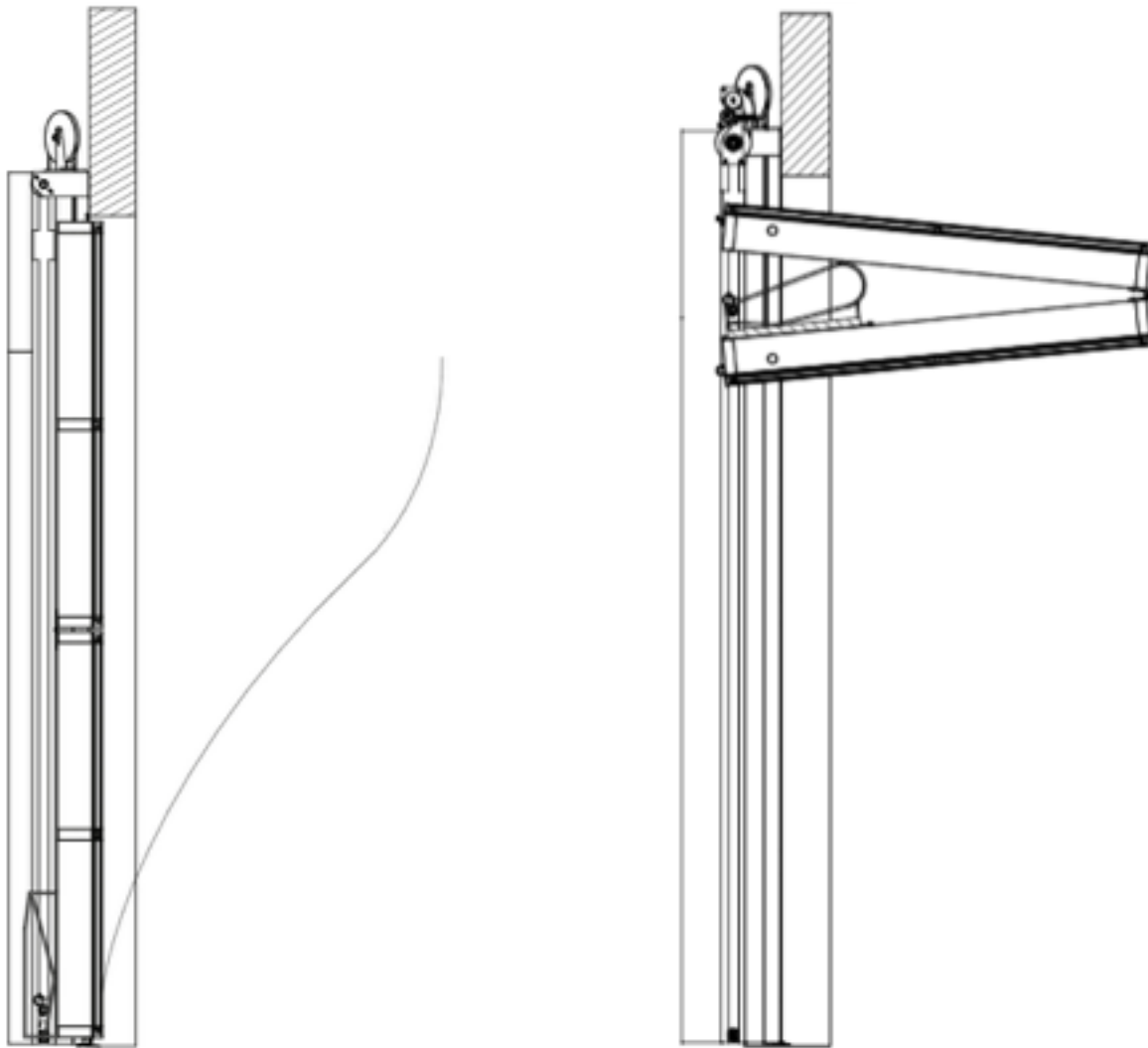
Owner's Manual For the A-750 New Fold

Congratulations on your purchase of a new Renlita door.

We have specially engineered your door for your design, and we are confident that your robust, sleek Renlita door will provide you with many years of enjoyment.

We pride ourselves in satisfying customers, so please contact us if you are not satisfied with your door so that we can do everything to make it right.





Caring for your door

Regular Cleaning

Follow these steps to clean the powder coating on your door's steel members. If your door has cladding on either side, consult the manufacturer of the cladding to know how best to clean it.

1. Remove residues with a wet sponge.
2. Use a soft brush or a cloth and a mild household cleaner to clean the steel members of your door.
3. Rinse the door with clean water.

What not to do

Do not use cleaners that require you to wear gloves because they could damage the powder coating; the damage may not appear for up to twelve months.

Do not use nylon or steel wool scourers on the powder coating.

When you need a replacement

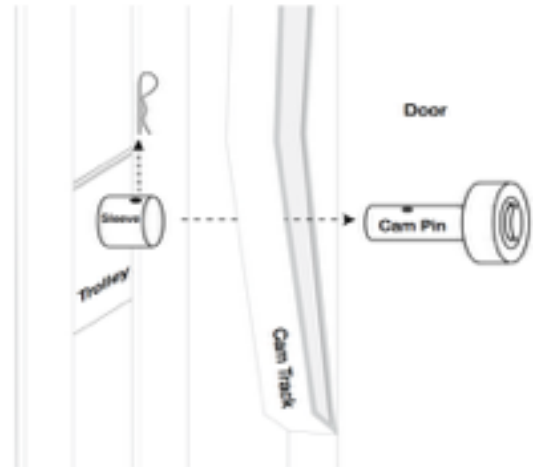
Contact Renlita Doors if you need a replacement part on your door or if your door becomes difficult to operate.

Never try to fix the door yourself. Visit www.renlitadoors.com to find an authorized service technician in your area.

Operating Your Door

Unlock the Shoot bolt at the bottom of the door. The installer will give you remote control or mount a control station on the wall. Consult the user manual for your motor to understand how to use your control devise.

To operate you door manually, you need to disconnect the door by disconnecting the door cam pins from the sleeve in the trolley.(See illustration to the right.)



Operating a Manual Door

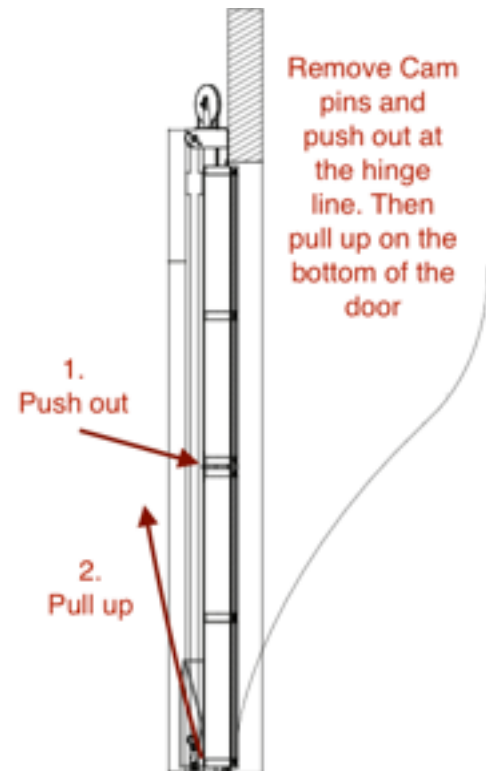
Unlock the shoot bolt at the bottom of the door. Open your door manually by pushing the door at the hinge to the exterior. Then pull the bottom of the door up.(See illustration to the right.) Be careful not to allow the door to slam open or shut because that will eventually cause damage to the door, possibly make the door dangerous to use.

Close the door by gently pulling the door down. Once the bottom of the door gets 95% close, go to the exterior of the door and push the hinge line to the interior.

Safety Features for the Motorized Doors

Photo Beams- The installer will place sensors that project a photo beam across the inside of the door way approximately 6 inches from the ground. These sensors communicate with the motor while the door is closing so that if anything breaks the beam the motor will automatically return to the fully open position.

Obstruction sensing- Each motor will memorize the amount of force necessary to open and close the door so that it can read interference with the door's movement and return to the fully open position if closing and the obstruction occurs. If the door is opening the door will shut off in the event of an obstruction.



Yearly Check Up

Joint Lubrication:

Lubricate the areas noted in the diagram with a lithium lubricant every twelve months.

List of items to lubricate:

Support Bracket (1 or more)

Sprockets (only on motorized doors, 4)

Hinges(varies per door)

Cable Thimbles(4)

Cable Inspection:

Inspect the cables every twelve months for frays or other damage by removing the counterweight covers and watching while the door moves. Do not put your hand next to the cable while the door is moving. Contact Renlita immediately if you find any damage on a cable.

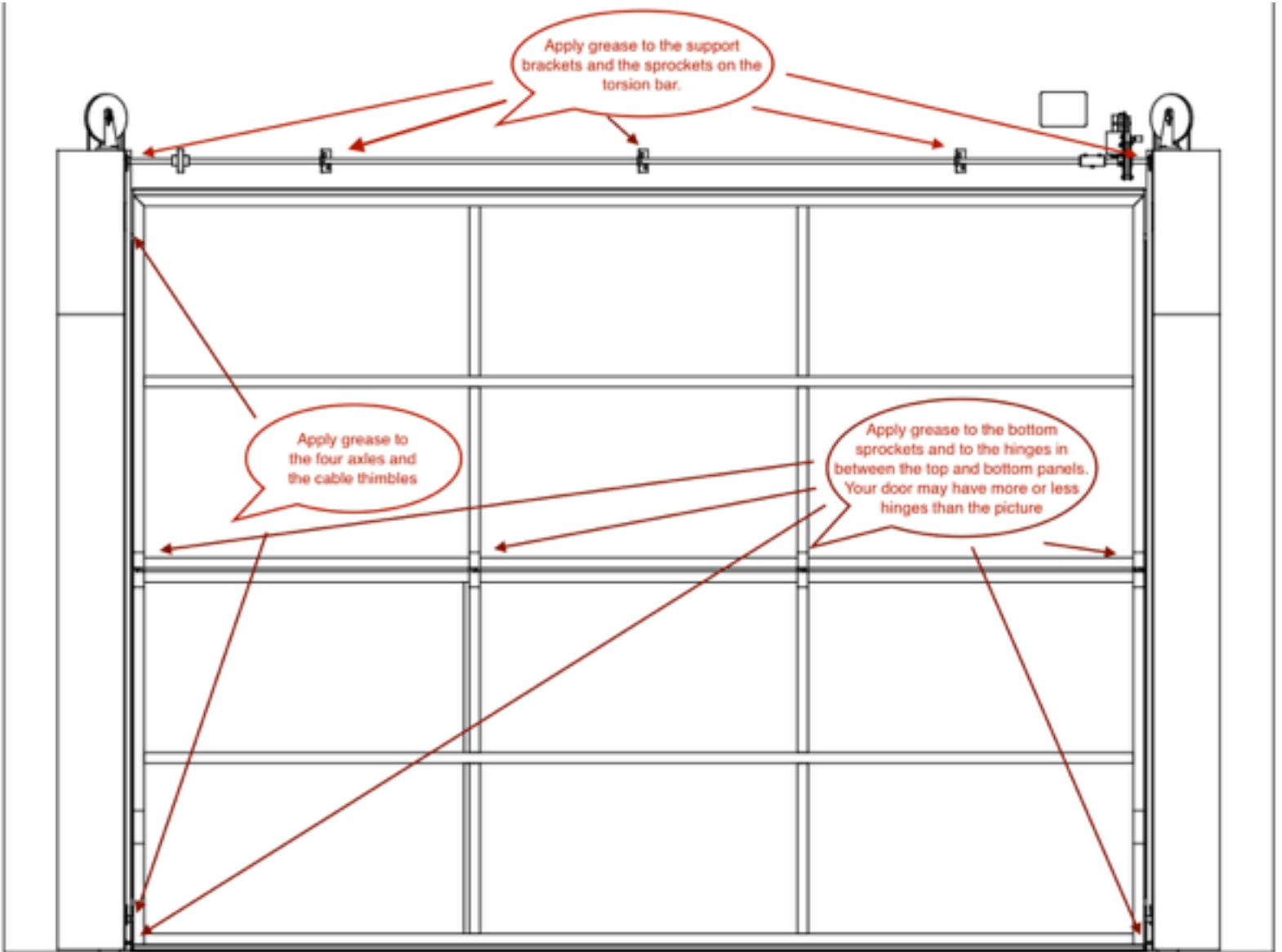
Touch-up for the finish

We provide a can of paint with your purchase in case at some time you need to refinish a spot on your door's aluminum frame members. To apply the paint, shake the can well, hold the nozzle 12- inches from the surface, and apply the paint in light coats to the blemished spot.

Apply grease to the support brackets and the sprockets on the torsion bar.

Apply grease to the four axles and the cable thimbles

Apply grease to the bottom sprockets and to the hinges in between the top and bottom panels. Your door may have more or less hinges than the picture



Warranty Information

Limited Warranty

RENLITA DOORS NORTH AMERICA, LLC (Renlita Overhead Doors) warrants to the original purchaser within one year from date of installation, if a product sold under this warranty proves to be defective in material or workmanship through normal use and service according to maintenance and operations instructions, as verified by inspection by persons authorized by Renlita Overhead Doors, Renlita Overhead Doors will replace or repair (at Renlita Overhead Doors option) the defective product.

In addition to general warranty, Renlita Overhead Doors warrants the steel frame against rust, in painted non-damaged condition for a period of two years from original purchase. This warranty does not apply to scratched, dented, damaged or corroded areas of the frame.

Warranties do not cover damage due to: accident, casualty, vandalism, abuse, harmful fumes or foreign substance in the atmosphere, acts of God, fire, failure to provide reasonable control, nor shall these warranties extend to or cover any damages or claims with respect to any product that in any way or degree have been altered, processed, misused, or improperly handled or installed.

Renlita Overhead Doors makes no other warranties, representations or covenants, expressed or implied with respect to this product, as to any matter whatsoever, including but not limited to warranties, representations or covenants as to workmanship, design, capacity, quality, condition, merchantability or fitness for any purpose of the product. Renlita Overhead Doors shall not be responsible for any incident or consequential damages arising out of the breach of this limited warranty, including but not limited to damage to buildings, other property, or other injuries or damages sustained by any persons whomsoever, or the recovery of any direct or indirect costs such as shipping, installation labor charges, paint or painting, or other building materials.

These warranties give you specific legal rights and you may also have other rights, which vary from state to state. All claims under these warranties shall require proof of purchase and be addressed to Renlita Doors North America, LLC P.O. Box B, Bonham, TX 75418

Contact us

Sales
903-583-7500
sales@renlitadoors.com
PO Box B
Bonham, TX 75418

Renlita Doors North America, LLC.
PO Box B
Bonham, TX 75418

Technical Assistance
903-486-3307
support@renlitadoors.com
PO Box B
Bonham, TX 75418

Visit our website at www.renlitadoors.com
to see other innovative products from
Renlita Custom Opening Solutions.

Troubleshooting

The motor will not operate.

1. Make sure nothing is blocking the door.
2. Make sure the motor and the backup battery are plugged in.
3. Check the batteries in the remote control.

The door will not stay closed.

1. Refer to the motor's user manual for adjusting the stop limits.

The door will not stay open.

1. Refer to the motor's user manual for adjusting the stop limits.

The door starts to close, but then it reverses.

1. Ensure there are no obstacles in the door's path.
2. You may need a technician to examine your door, so visit www.renlitadoors.com to find an authorized Renlita technician in your area.

The remote control will not operate.

1. Make sure the batteries are fresh.
1. Refer to the motor's user manual for programming the remote control.