



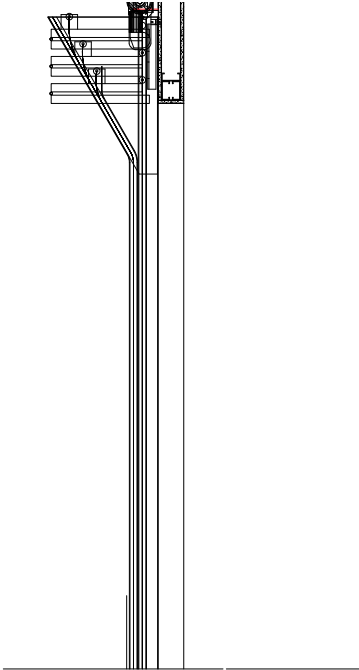
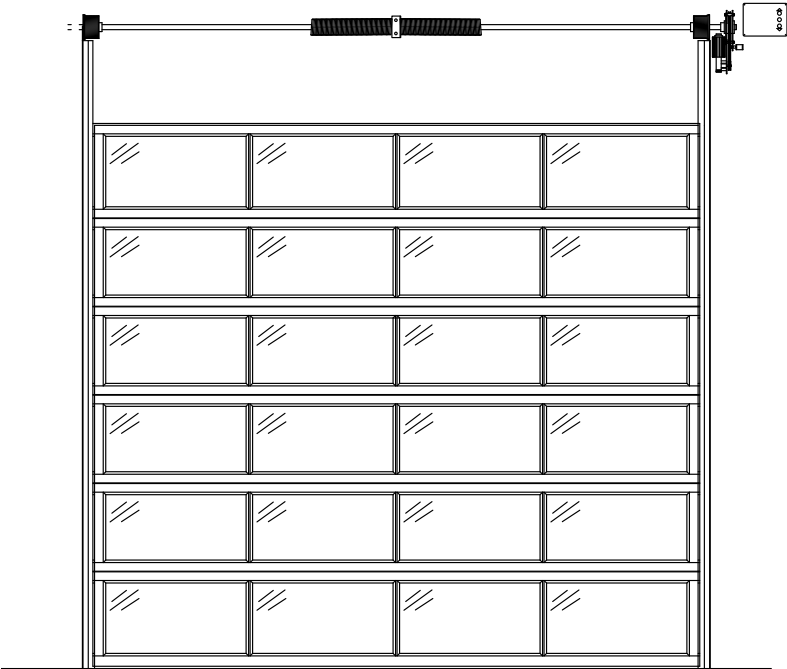
Renlita Sovereign Owner's **Manual**

Owner's Manual for the Renlita Sovereign Door

Congratulations on your purchase of a new Renlita door.

We have specially engineered your door for your design, and we are confident that your robust, sleek Renlita door will provide you with many years of enjoyment.

We pride ourselves in satisfying customers, so please contact us if you are not satisfied with your door so that we can do everything to make it right.



Operating your door

By the Motor:

The installer will give you a remote control or mount a control unit on your wall. Consult the user manual for your motor to understand how to use your control device.

By Hand:

1. For motorized doors:
 - i. Refer to your motor's user manual for instructions on disengaging the motor from the door.
 - ii. Gripping the bottom of the door, slowly lift it straight up, and guide it to gently rest open.
 - iii. Close the door by gently pulling the bottom down until the door closes fully.
 - iv. Be careful not to allow the door to slam open or shut because that will eventually cause damage to the door, possibly making it dangerous to use.
2. For manual doors:
 - i. Slowly pull the chain that is hanging on the side, and gently guide the door open.
 - ii. Close the door by slowly pulling the chain in the opposite direction, and gently guide the door closed.
 - iii. Be careful not to allow the door to slam open or shut because that will eventually cause damage to the door, possibly making it dangerous to use.

Safety Features for Motorized Doors:

Photo Beam- The installer will place sensors that project a photo beam across the inside of the doorway six inches from the ground. These sensors communicate with the motor while the door is closing so that if anything breaks the beam, the motor will automatically return the door to fully open.

Obstruction Sensing- Each motor will memorize the amount of force necessary to close the door so that it can read interference with the door's movement and return the door to fully open if the door encounters something while it's closing.

Caring for your door

Cleaning the Powder-coated Parts

Follow these steps to clean the powder coating on your door's steel members.

1. Remove residues with a wet sponge.
 2. Use a soft brush or a cloth and a mild household cleaner to clean the powder-coated members of your door.
 3. Rinse the door with clean water.
- * **NOTE:** Do not use cleaners that require you to wear gloves because they could damage the powder coating; the damage may not appear for up to twelve months.
 - * **NOTE:** Do not use nylon or steel wool scourers on the powder coating.

Cleaning the Glass

Use a lint-free cloth and a mild window cleaner (Windex or similar). Do not use a harsh cleaner because it will damage the seals, which will make them less effective.

Checking the Seals

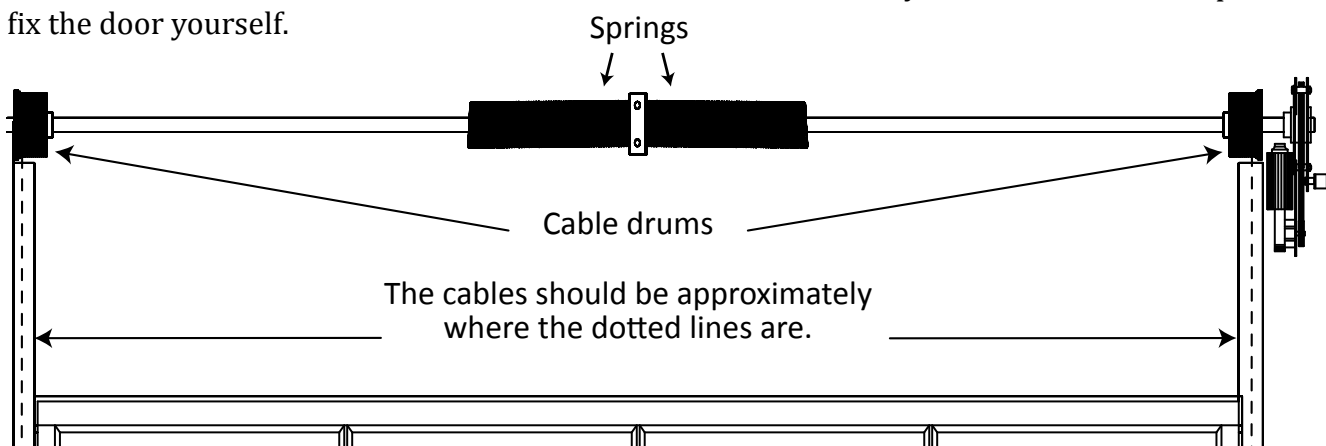
Inspect the seals on all four sides of the door and between the panels. If the seals are dirty, clean them with clean water, a sponge, and a mild soap.

Refinishing spots of paint

If your door is a color other than black or white, the installer will give you a can of paint that matches your door just in case you need to refinish a spot on your door's paint coating at a later time. To apply the paint, shake the can well, hold the nozzle 8 – 12 inches from the surface, and apply the paint in light coats to the blemished spot.

Checking the Spring Unit

Inspect the springs, cable drums, and cables once a year for damage. If you find damage, visit www.renlitadoors.com to find an authorized service technician in your area. Never attempt to fix the door yourself.



When you need a replacement

Contact Renlita Doors if you need a replacement part on your door or if your door becomes difficult to operate. Never try to fix the door yourself. Visit www.renlitadoors.com to find an authorized service technician in your area.

Checking the Track System

Inspect the tracks and the rollers on the brackets once a year to make sure the rollers are smooth and in shape and to make sure the tracks are not dented. (See the illustration.) If you find damage, visit www.renlitadoors.com to find an authorized service technician in your area. Never attempt to fix the door yourself.

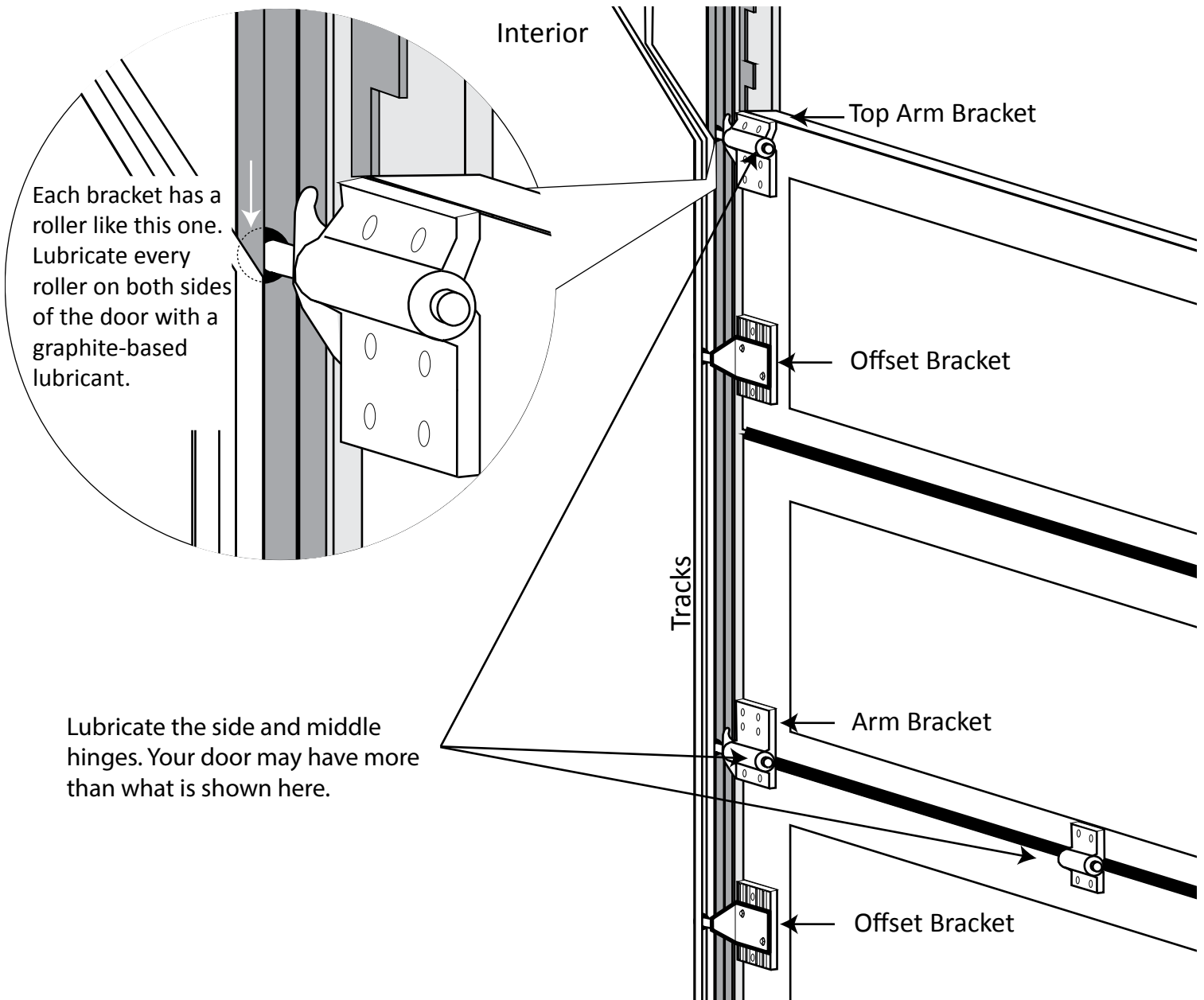
Lubricating the Track System

Apply a graphite-based lubricant to the door's rollers and hinges every six months. (See the illustration.) Lubricating the rollers will ensure the longevity and smooth operation of your door.

Items to lubricate:

Rollers on the brackets (number varies per door)

Middle and side hinges (number varies per door)



Troubleshooting

The motor will not operate.

1. Make sure nothing is blocking the door.
2. Make sure the motor and the backup battery are plugged in.
3. Check the batteries in the remote control.

The door will not stay closed.

1. Refer to the motor's user manual for adjusting the stop limits.

The door will not stay open.

1. Refer to the motor's user manual for adjusting the stop limits.

The door starts to close, but then it reverses.

1. Ensure there are no obstacles in the door's path.
2. You may need a technician to examine your door, so visit www.renlitadoors.com to find an authorized Renlita technician in your area.

The remote control will not operate.

1. Make sure the batteries are fresh.
1. Refer to the motor's user manual for programming the remote control.

Warranty Information

Limited Warranty

RENLITA DOORS NORTH AMERICA, LLC (Renlita Overhead Doors) warrants to the original purchaser within one year from date of installation, if a product sold under this warranty proves to be defective in material or workmanship through normal use and service according to maintenance and operations instructions, as verified by inspection by persons authorized by Renlita Overhead Doors, Renlita Overhead Doors will replace or repair (at Renlita Overhead Doors option) the defective product.

In addition to general warranty, Renlita Overhead Doors warrants the steel frame against rust, in painted non-damaged condition for a period of one year from original purchase. This warranty does not apply to scratched, dented, damaged or corroded areas of the frame.

Warranties do not cover damage due to: accident, casualty, vandalism, abuse, harmful fumes or foreign substance in the atmosphere, acts of God, fire, failure to provide reasonable control, nor shall these warranties extend to or cover any damages or claims with respect to any product that in any way or degree have been altered, processed, misused, or improperly handled or installed.

Renlita Overhead Doors makes no other warranties, representations or covenants, expressed or implied with respect to this product, as to any matter whatsoever, including but not limited to warranties, representations or covenants as to workmanship, design, capacity, quality, condition, merchantability or fitness for any purpose of the product. Renlita Overhead Doors shall not be responsible for any incident or consequential damages arising out of the breach of this limited warranty, including but not limited to damage to buildings, other property, or other injuries or damages sustained by any persons whomsoever, or the recovery of any direct or indirect costs such as shipping, installation labor charges, paint or painting, or other building materials.

These warranties give you specific legal rights and you may also have other rights, which vary from state to state. All claims under these warranties shall require proof of purchase and be addressed to Renlita Doors North America, LLC P.O. Box B, Bonham, TX 75418

Contact us

Sales
903-583-7500
sales@renlitadoors.com

Renlita Doors North America, LLC
P.O. Box B
Bonham, TX 75418

Technical Support
903-486-3301
support@renlitadoors.com

Visit our website at www.renlitausa.com to see other innovative products from Renlita Doors.